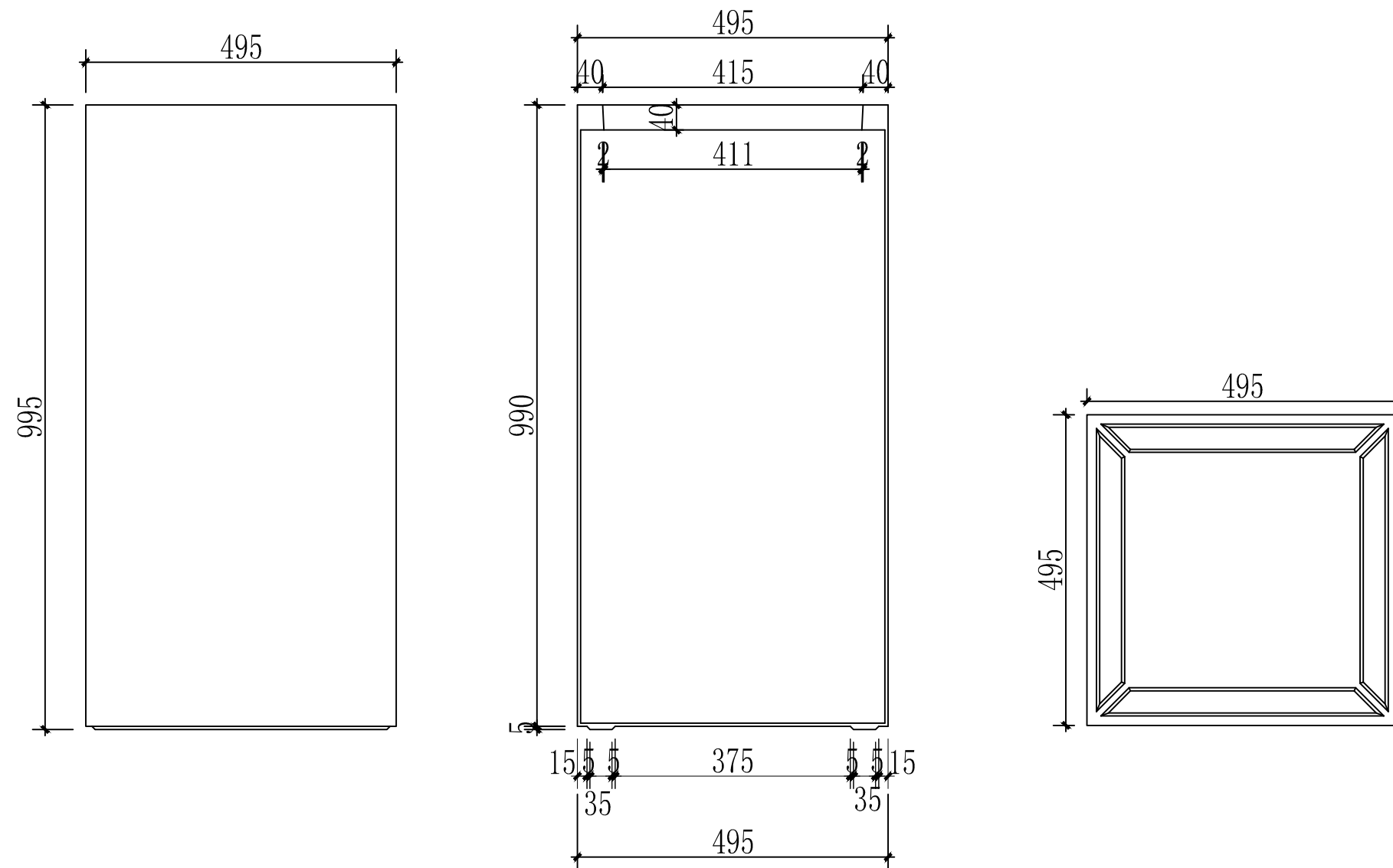


Lightweight StoneLite Tall Squares

L50 × W50 × H100 Volume: 250L Weight: 28kg



StoneLite GRC tall square planter

81027_50: L50 × W50 × H100

(all pots will come with drainage holes)